

DETAILS

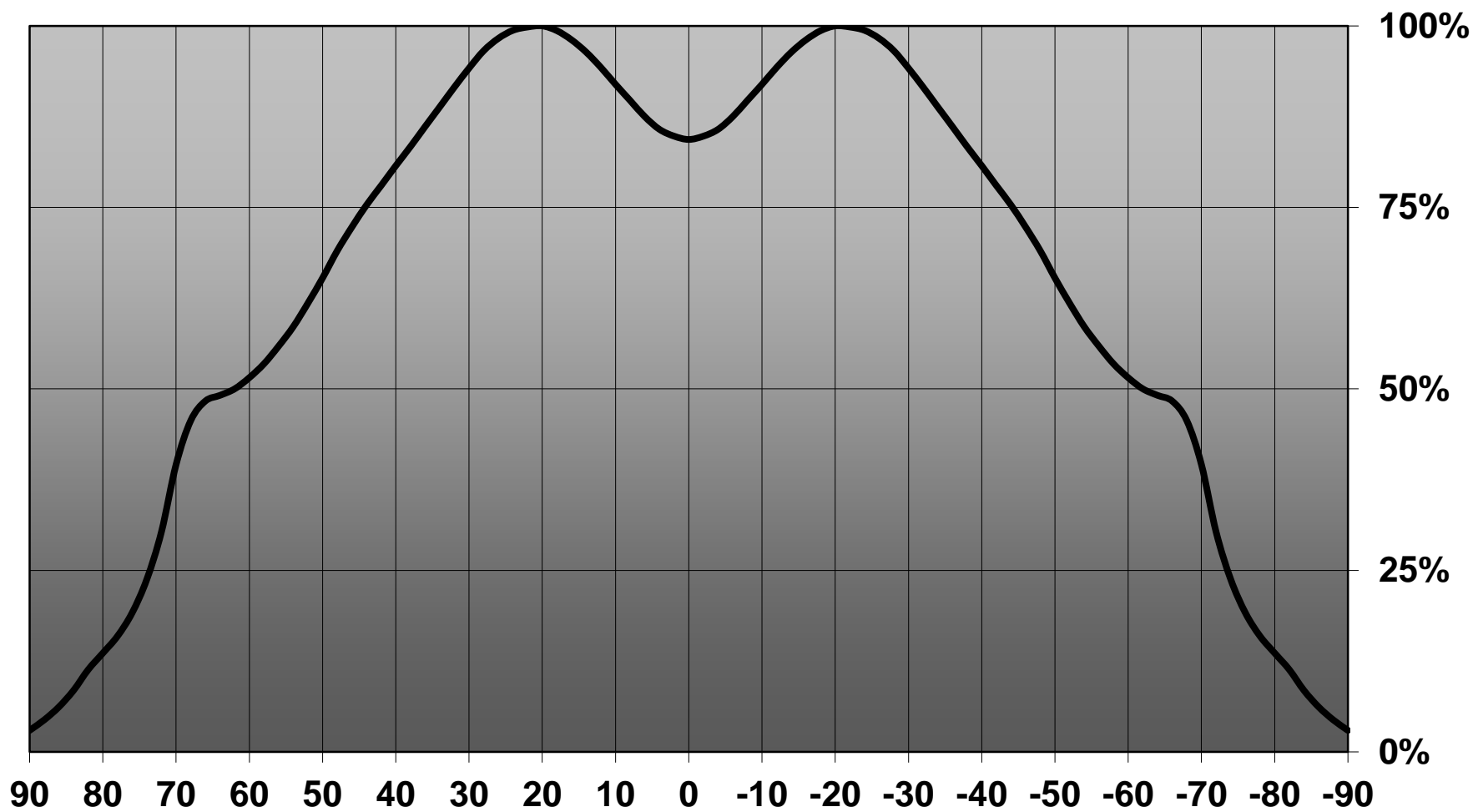
Product Number	C12490_SIRI-DOME
Family	Siri
Type	Lens
Color	clear
Diameter	13,9 + 13,9 mm
Height	4,9 mm
Style	square
Optic Material	PMMA
Holder Material	
Fastening	glue, pin
Status	production ready
ROHS Compliant	Yes
Date Updated	9/01/2015



OPTICAL PROPERTIES

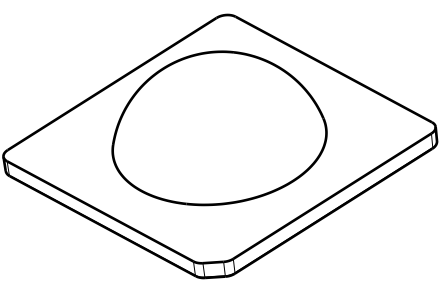
LED	Viewing Angle	Light Beam	Efficiency	cd/lm	Connector
XM-L	148 deg	WWW-class	97 %	0.250	-
XP-G2	140 deg	WWW-class	97 %	0.270	-
XM-L2	152 deg	WWW-class	97 %	0.200	-
LUXEON A	142 deg	WWW-class	97 %	0.260	-
NVSxx19B/NVSxx19C	154 deg	WWW-class	97 %	0.230	-
Oslon Square EC	124 deg	WWW-class	97 %	0.280	-

Relative intensity of C12490_SIRI-DOME_(SQ-EC)

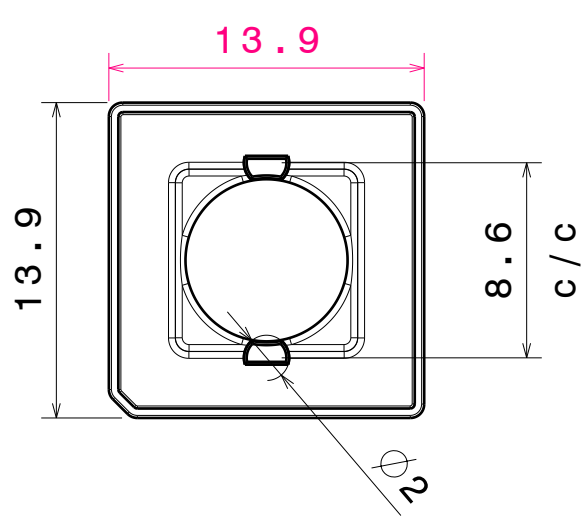
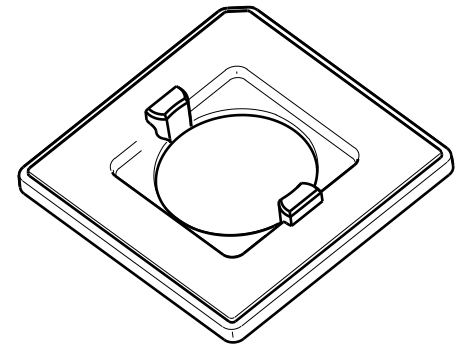


D C B A

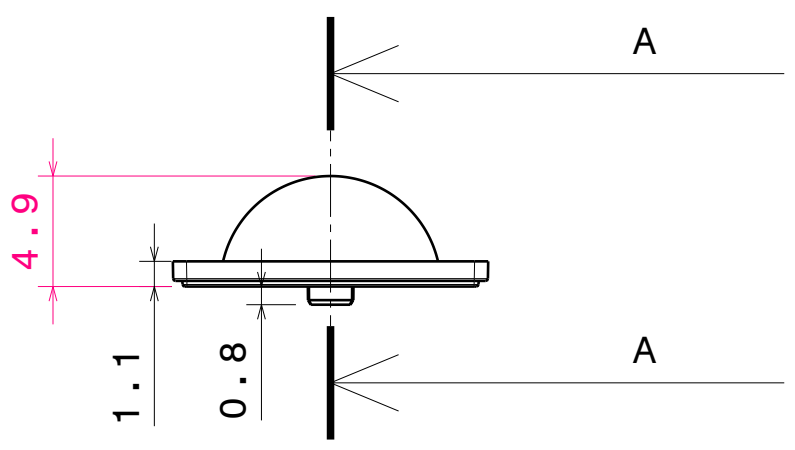
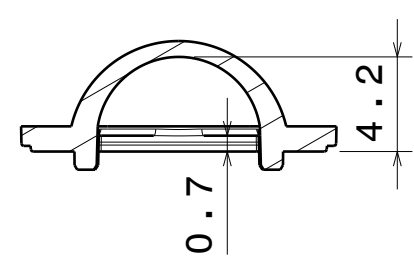
4



3



2



1

MATERIALS
Lens: PMMA

This drawing is our property.
It can't be reproduced
or communicated without
our written agreement.



Ledil Oy
Salorankatu 10
FIN-24100 SALO
Finland

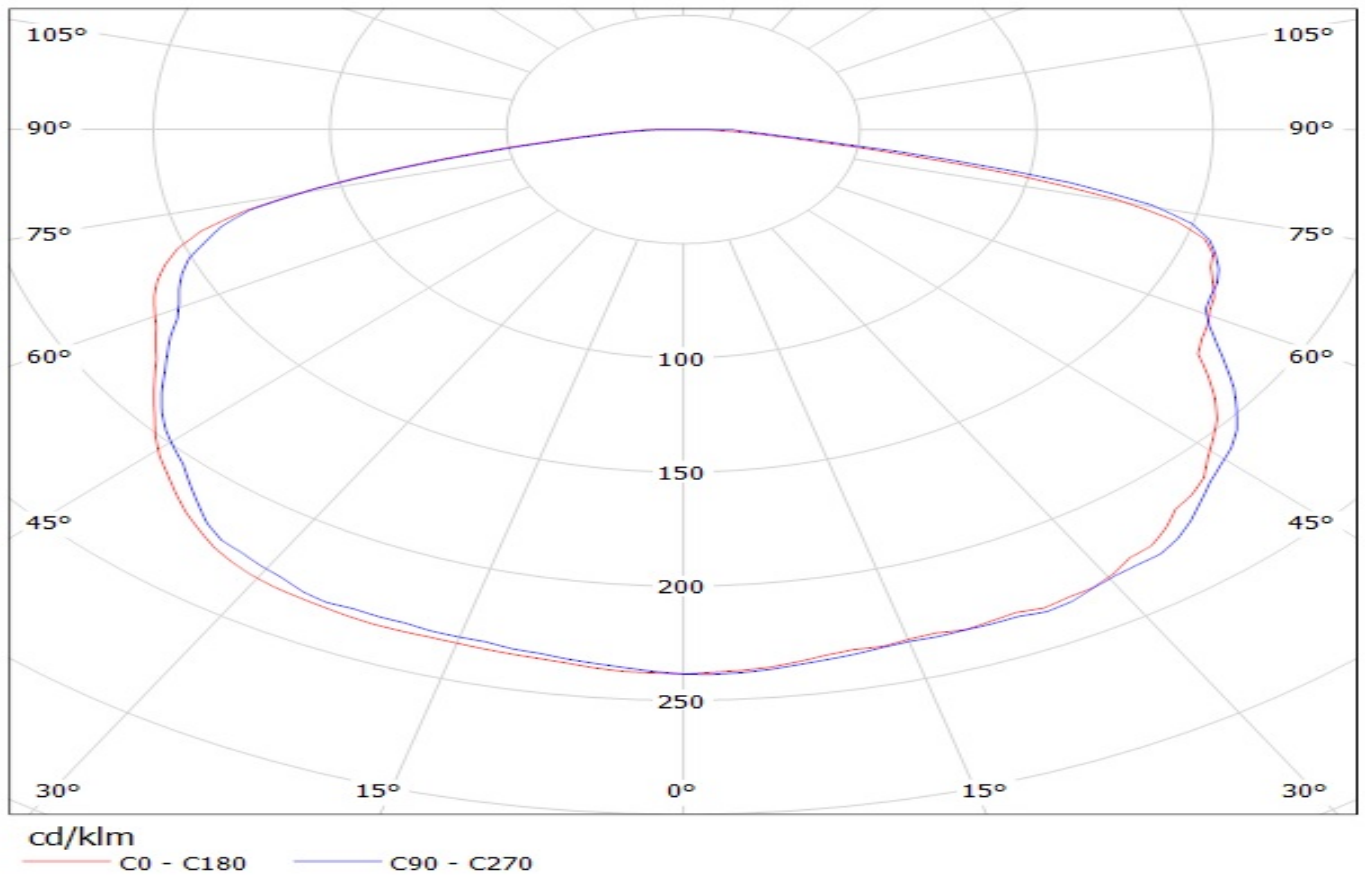
DRAWING TITLE

Datasheet Siri-Dome & Siri-Diff

DRAWN BY ah	DATE 3.1.2012	DRAWING NUMBER			REV 2
CHECKED BY sn	DATE 3.1.2012	SIZE A4	WEIGHT (g)		SHEET 1/1
DESIGNED BY pv	DATE 23.11.2011	SCALE 3:1			

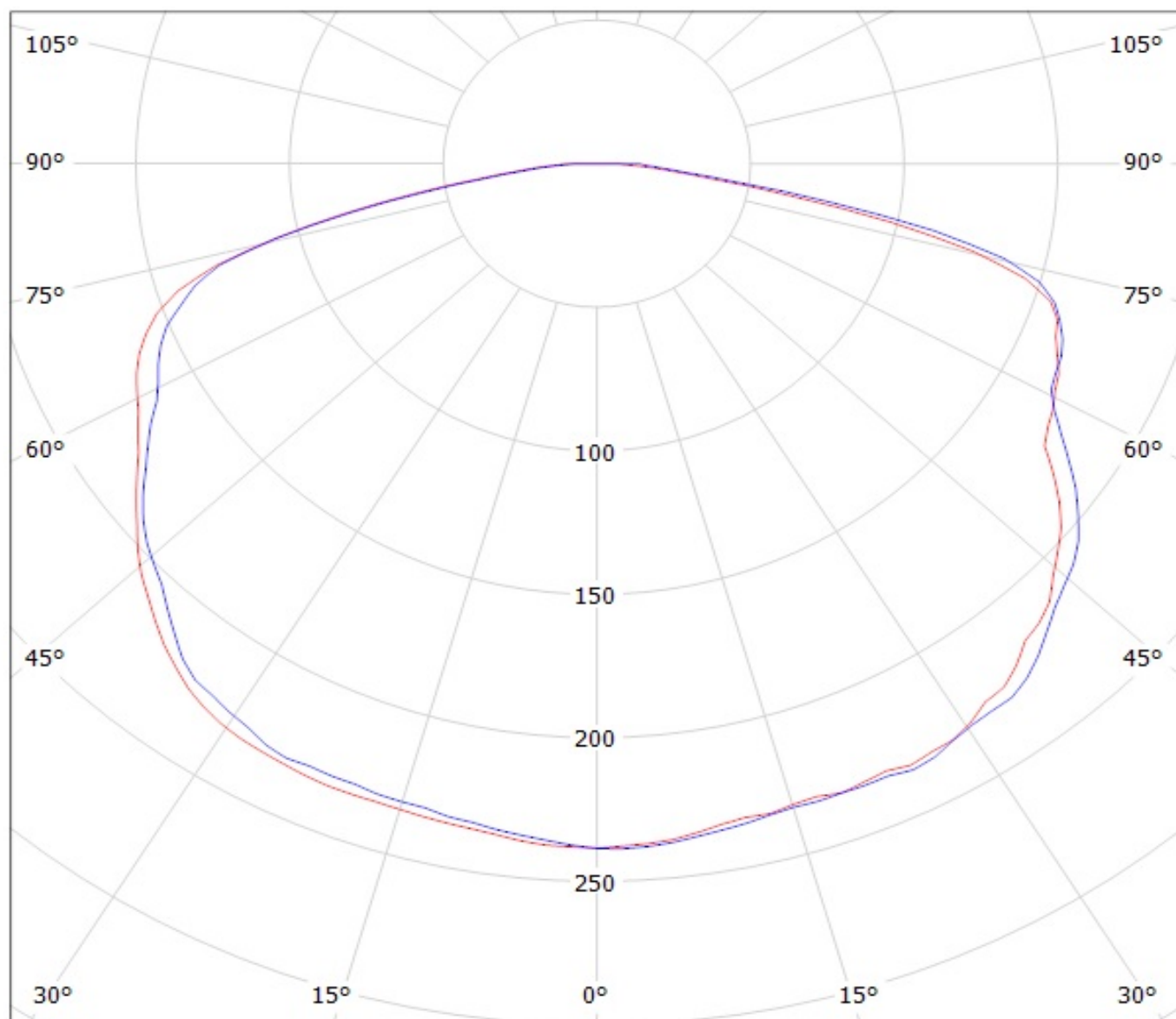
D A

Luminaire: LEDil Oy C12490_SIRI-DOME_(XM-L2) Efficiency=97%
Lamps: 1 x Cree XM-L2 (XMLBWT-0-7B4-T30-0L-0001) 91lm @ 250mA CCT=3200K P=0.7W I=250mA



Luminaire: LEDil Oy C12490_SIRI-DOME_(XM-L2) Efficiency=97%

Lamps: 1 x Cree XM-L2 (XMLBWT-0-7B4-T30-0L-0001) 91lm @ 250mA CCT=3200K P=0.7W I=250mA



cd/klm

— C0 - C180 — C90 - C270

NOTE: The typical divergence will be changed by different color, chip size and chip position tolerance. The typical total divergence is the full angle measured where the luminous intensity is half of the peak value.